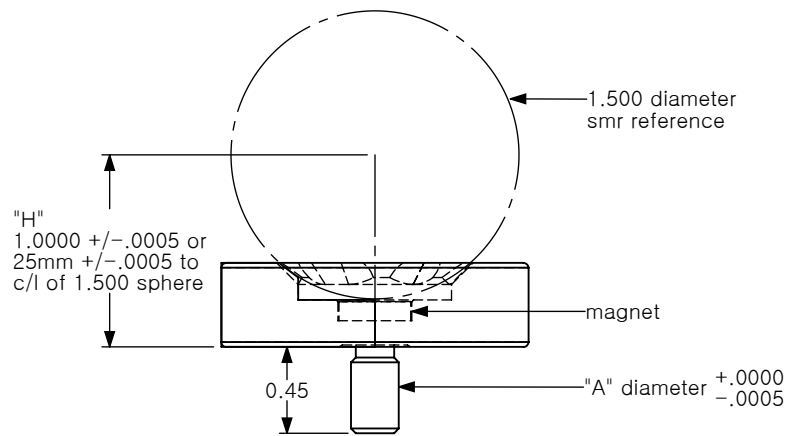


precision (3) point nest on  
c/l of "A" diameter within  
 $\pm .0005$



"H"  
1.0000 +/- .0005 or  
25mm +/- .0005 to  
c/l of 1.500 sphere

1.500 diameter  
smr reference

magnet

0.45

"A" diameter +.0000  
-.0005